

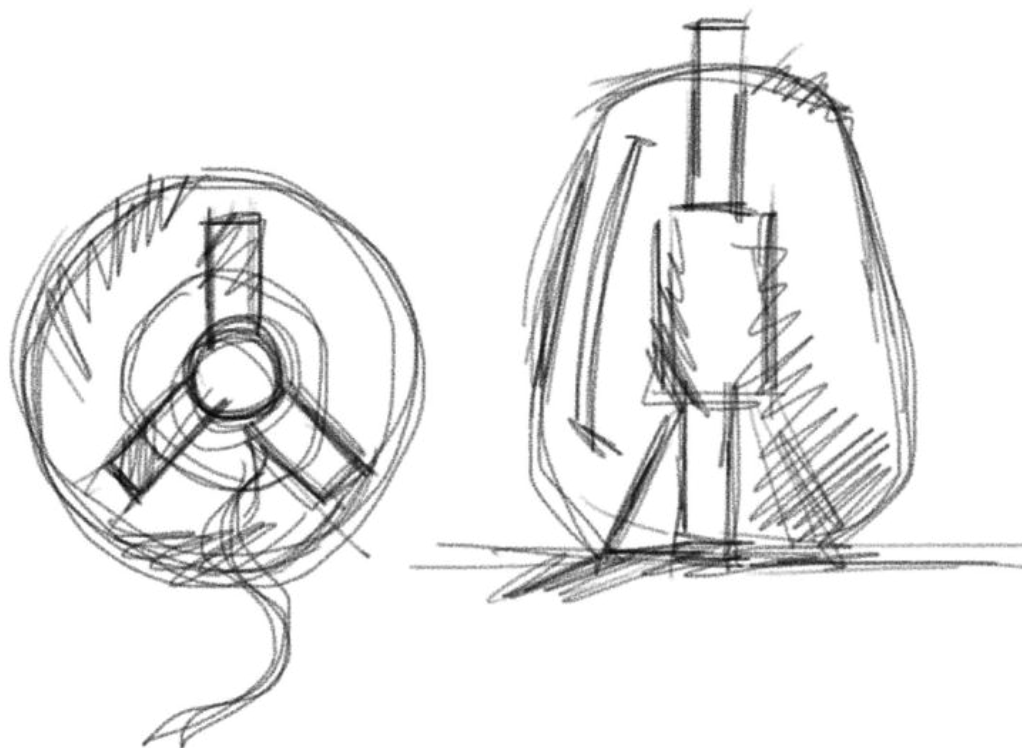


# Luisa

Luisa è un dolce racconto che non può lasciare indifferenti. Porta con sé la storia del vetro soffiato proposto in due grandezze, come da tradizione aziendale, rivelando una luce delicata e suadente disponibile in diverse temperature di colore; il diffusore regala cinque eleganti finiture ottenute attraverso le nanotecnologie applicate; l'anima in metallo, disponibile anch'essa in cinque colori, invita a giocare con combinazioni cromatiche e di accessori. Luisa, infine, unisce il design spagnolo all'esperienza produttiva italiana. È una nuova storia di luce, fatta di interessanti capitoli ancora in divenire.

Luisa is a sweet story that cannot leave you feeling indifferent. It brings with it the story of blown glass available in two sizes, in line with the company's tradition. It reveals a delicate and persuasive light available in different colour temperatures. The diffuser offers five elegant finishes obtained by applying nanotechnology and the metal core, also available in five colours, invites you to play with colour combinations and accessories. Finally, Luisa combines Spanish design with Italian manufacturing experience. It is a new story of light, made up of interesting chapters that are still being written.

Designer: **Gauzak**





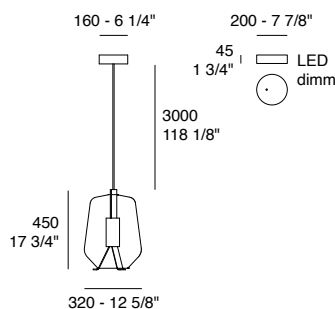
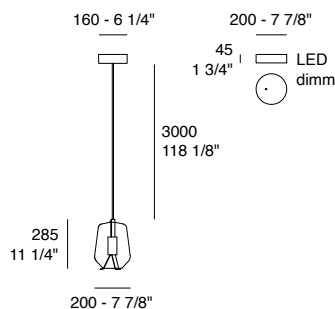
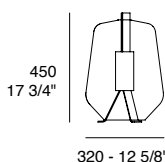
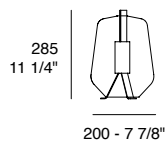
La collezione Luisa porta con sé tutta la bellezza e la storia del vetro soffiato, unita a design ed innovazione. Una bellezza disponibile in diversi colori, dimensioni, finiture e quindi versatile perché sa reinventarsi ogni volta. Nelle versioni da tavolo e a sospensione, il diffusore in vetro soffiato è decorato con cinque eleganti finiture, alcune ottenute attraverso nanotecnologie applicate, e diffonde una luce delicata e suadente. L'anima in metallo, disponibile anch'essa in cinque colori, invita a giocare con fantasiosi accostamenti cromatici.

Luisa collection brings with it all the beauty and the history of blown glass, combined with design and innovation. A beauty available in different colours, sizes, finishes and therefore versatile, reinventing itself every time  
In the table and suspension versions, the blown glass diffuser is decorated with five elegant finishes, some obtained through applied nanotechnologies, and it diffuses a delicate and persuasive light. The metal core, also available in five colours, invites you to play with imaginative chromatic combinations.





## Luisa | Dati tecnici | Technical data

**Luisa T1**

LED 8W - 2700 K (717 lm) - IP20 - Dimmable

**Structure:** Chrome - Nickel - Brass - White - Black**Diffuser:** Clear Crystal - Glossy White - Glossy Smoked Grey  
Silver Metalized Transmirror - Glory rose metalized transmirror**Luisa T3**

LED 13W - 2700 K (1080 lm) - IP20 - Dimmable

**Structure:** Chrome - Nickel - Brass - White - Black**Diffuser:** Clear Crystal - Glossy White - Glossy Smoked Grey  
Silver Metalized Transmirror - Glory rose metalized transmirror**Luisa S1**

Light source options:

LED 8W - 2700 K (717 lm) - IP20

LED DIMM 8W - 2700 K (717lm) - IP20 - Dimmable Dali/DSI -  
SwitchDIM - 1...10V - 0...10V**Structure:** Chrome - Nickel - Brass - White - Black**Diffuser:** Clear Crystal - Glossy White - Glossy Smoked Grey  
Silver Metalized Transmirror - Glory rose metalized transmirror**Luisa S3**

Light source options:

LED 13W - 2700 K (1080 lm) - IP20

LED DIMM 13W - 2700 K (1080lm) - IP20 - Dimmable Dali/DSI -  
SwitchDIM - 1...10V - 0...10V**Structure:** Chrome - Nickel - Brass - White - Black**Diffuser:** Clear Crystal - Glossy White - Glossy Smoked Grey  
Silver Metalized Transmirror - Glory rose metalized transmirrorClear  
crystalGlossy  
whiteGlossy  
smoked  
greySilver  
metalized  
transmirrorGlory rose  
metalized  
transmirror